



# Evolution STARCH OFF ULTRA

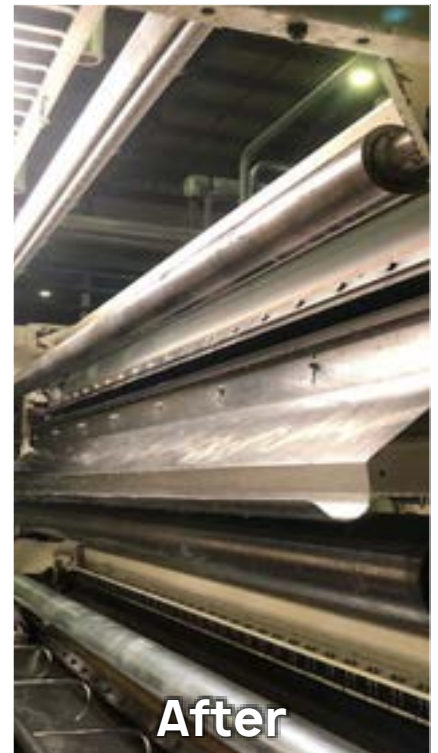
**NEW**  
PATENTED TECHNOLOGY

## Installation and Component Guide

A LOT MORE  
BOARD  
STRONGER  
BOARD  
FLATTER  
BOARD



Before



After

**CLEANED IN UNDER 30 MINUTES**

   
[www.cleanprintsolutions.com](http://www.cleanprintsolutions.com)

**EVOLUTION STARCH OFF ULTRA**

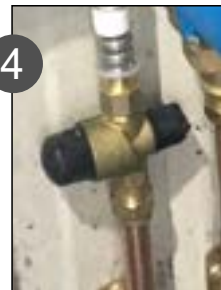
YOUR CORRUGATORS ARE ALWAYS CLEAN. A COMPLETE INTERNAL AND EXTERNAL SOLUTION FOR YOUR PLANT



# Evolution STARCH OFF **ULTRA**

## System Installation - Component Guide

- 1 Water supply 3/4in
- 2 Y Filter Strainer
- 3 RPZ (testable non-return valve)
- 4 Pressure Limiting Valve (set at 450 kpa or 4.5 Bar)
- 5 Water softener in hard water areas only (not needed in soft water areas)
- 6 Isolation Valve (Gate valve)
- 7 Non-Return Valve
- 8 Dilution Wall - Two MixRite 10% Dosing Devices making the ESOU 20% concentrate on the daily clean
- 9 Barrel Union
- 10 Heat Exchange Unit (set at 131-149°F)
- 11 Temperature Gauge



Evolution  
Starch Off Ultra  
Tote & Delivery  
System



# Evolution STARCH OFF **ULTRA**

- 12 Hose Reel with a foaming gun and a tap with a hose at each Starch Applicator
- 13 Flow line 1in insulated Copper, Stainless Steel or Pex Ring Main to Foam Guns
- 14 Circulating Pumps (brass)
- 15 Tee (Return pipe line to Heat Exchange Unit)
- 16 Evolution Starch Off Ultra Tote and Delivery System

On completion of the installation we will walk the appropriate person the plant choses (fitter that participated in the installation) through the system. Ecochem/Clean Print will spend a day explaining the system to the operators to ensure correct understanding of operation.

The plant will sign of that the installation is satisfactorily completed.

Then the plant will maintain the system in line with required maintenance schedule.

Ecochem will warranty the hardware if correctly maintained for 12 months.





# Evolution STARCH OFF **ULTRA**

## ESO ULTRA Installation

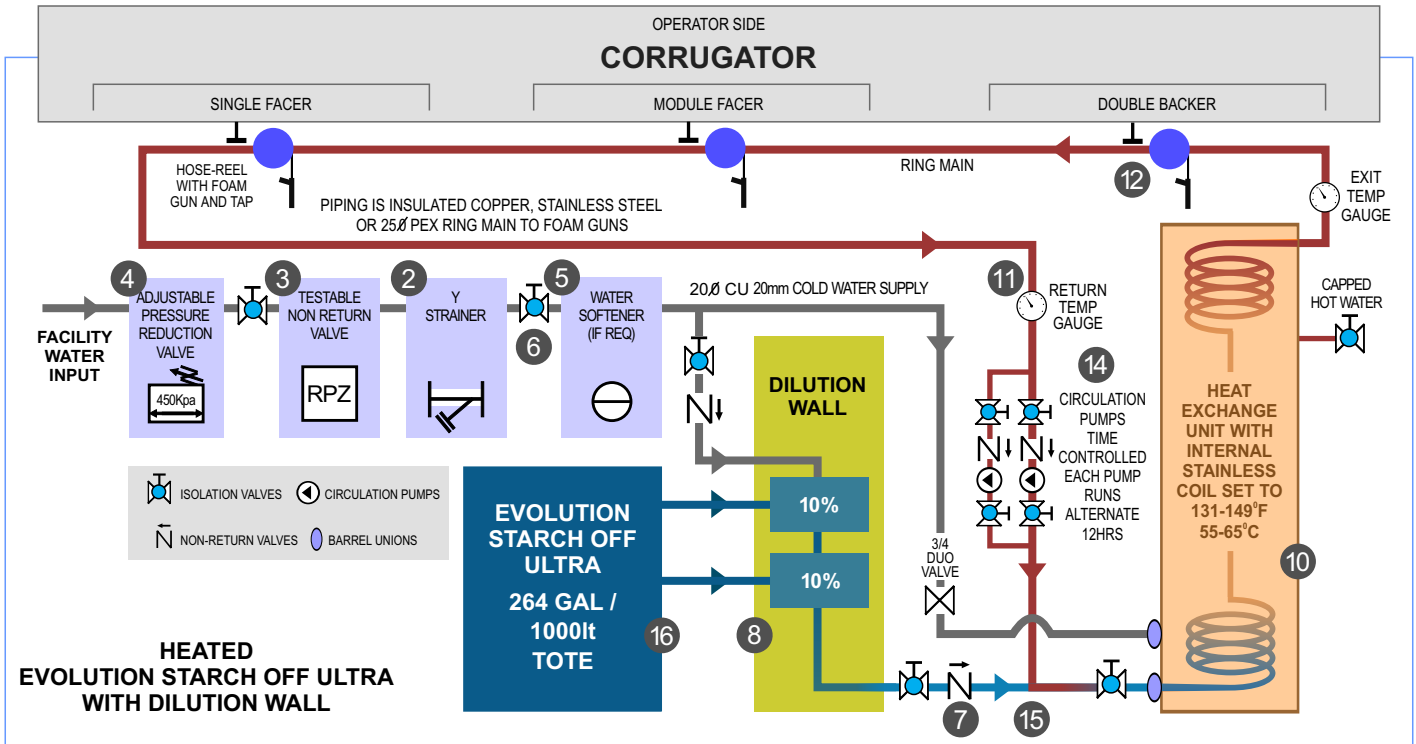






# Evolution STARCH OFF **ULTRA**

## Technical Installation Diagram



## Patented Technology

**Our 'Cleaning-in-Place' automatic productivity systems are patented technology offering 'End-to-End' corrugator-to-converter game changing solutions to optimize productivity.**



# Evolution STARCH OFF **ULTRA**

## Batch Controller Instructions

1. Calculate volume of product required in litres

10% of tank water volume is the amount of solution required.

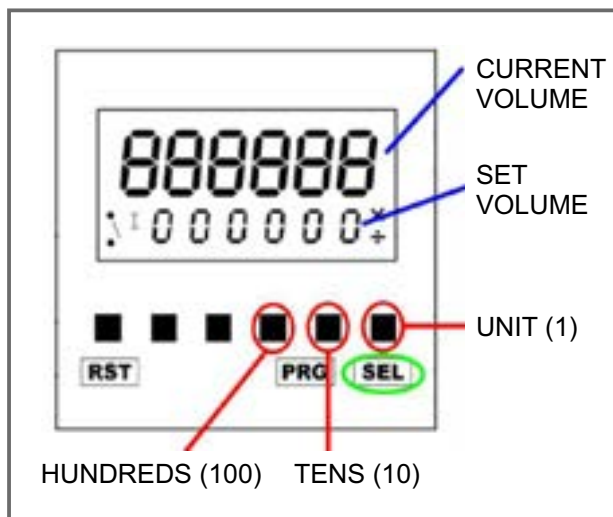
Thus, divide the volume of your tank by 10.

### Example

If water tank volume is 1000 litre

Then divide 1000 by 10 = 100  
= (10%)

2. Enter amount from step 1.
  - 2.1. Press "SEL" button (Circled in green). Use this button to change the amount of ESO required. Once initial set up is done this does not need to be changed.
  - 2.2. Use buttons circled in red for units, tens and hundreds.
  - 2.3. Press "SEL" button when done.
3. Press "START" button on front of case
4. Pump will start up.
5. Once volume is reached the pump will stop.



In the case of an incorrect entry, reset the system by turning the power off for 10 sec and turn back on. Note: RST and PRG buttons are not used in this system.

Use emergency stop button if necessary. System will remember the last setting and metered amount for up to 5 min.

**Check numbers entered before starting to ensure correct amount has been set.**

**EVOLUTION STARCH OFF ULTRA is optimised, unique, simple, safe and effective**

**Contact us now for more information and a convincing on-site demonstration**



Ecochem Australia Pty Ltd  
110 South Mountain Road  
Upper Plenty, VIC. 3756  
Ph: +613 5783 2902  
Mob: +61 448 823 309



Go online to  
Evolution Starch Off Ultra